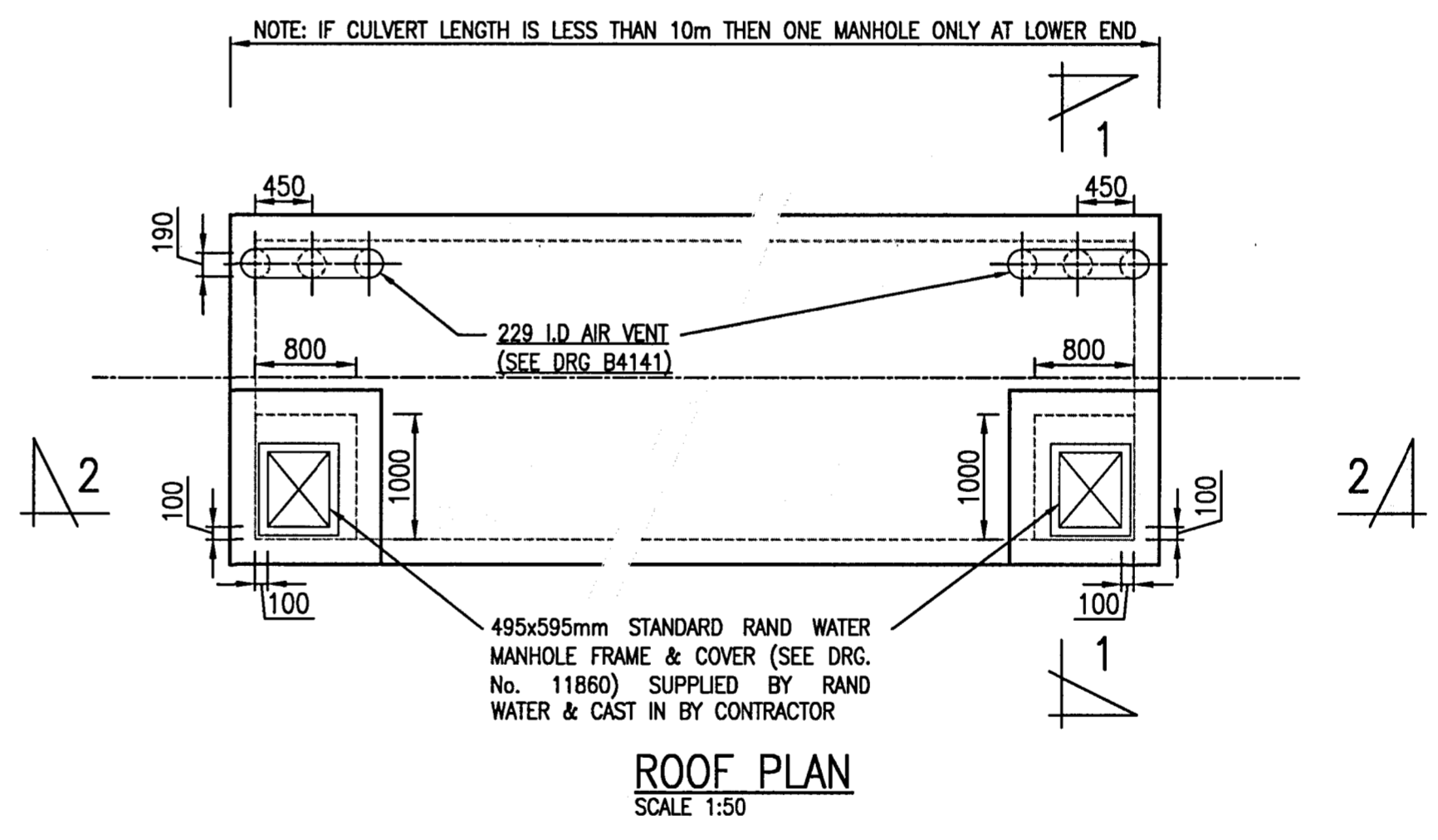
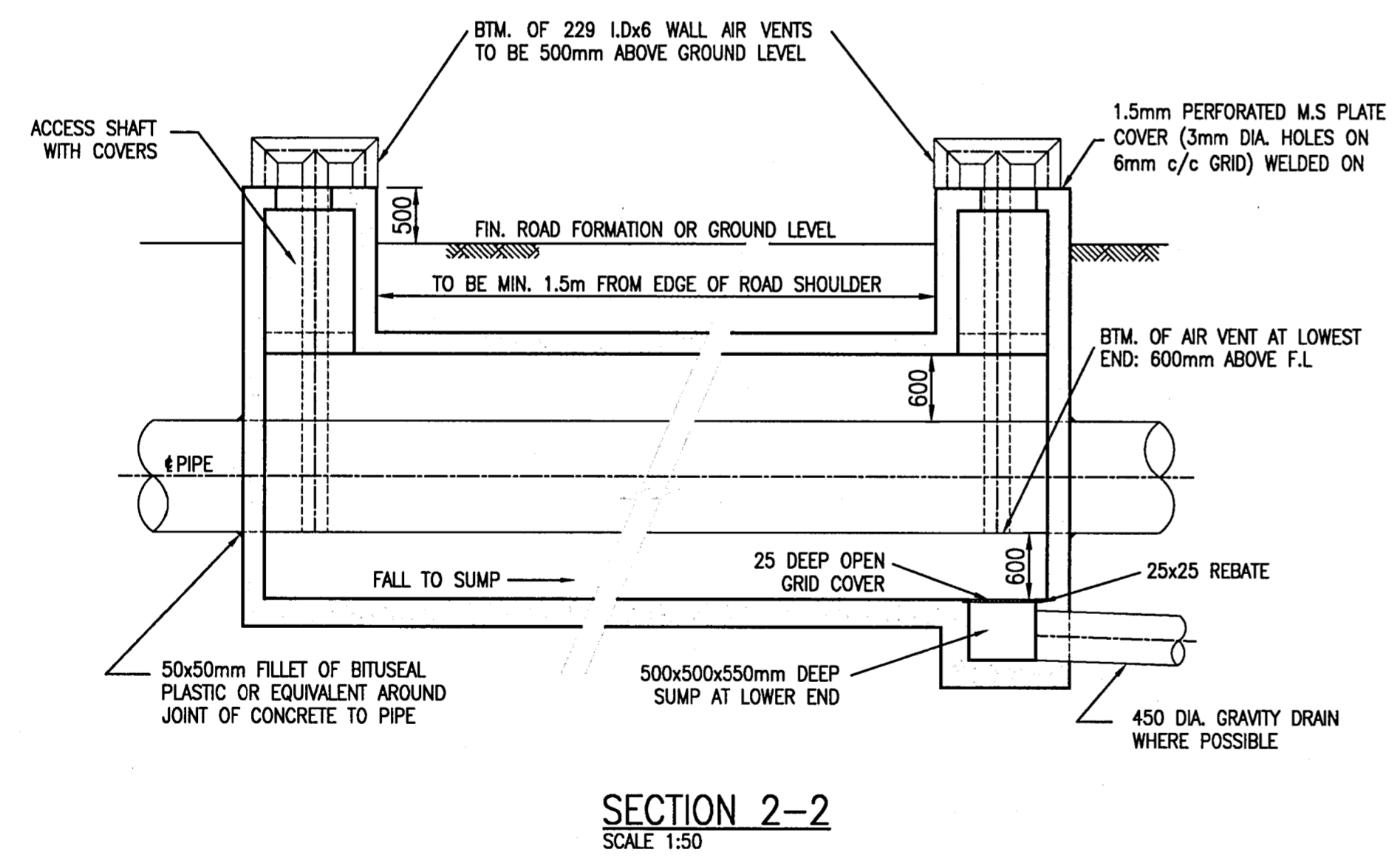


CONCRETE WALL AT EACH END	
'D1'	WALL THICKNESS (mm)
UP TO 2.5m	250
UP TO 4.5m	400
UP TO 6.5m	500
OVER 6.5m	TO BE DESIGNED

- NOTE:
1. THE BOARD IS TO BE SATISFIED IN WRITING THAT THE DESIGN DETAILS OF THE CULVERT COMPLY WITH THE LATEST REQUIREMENTS FROM THE AFFECTED AUTHORITY.
 2. APPROVED PRECAST PORTAL CULVERTS MAY BE USED.



THIS DRG SUPERSEDES DRG No. B1933

© RAND WATER 2004 All Rights Reserved



BOX 1127
JOHANNESBURG
2000
TEL: 011-682-0911

REVISIONS				
No	DATE	CHECKED	APPROVED	DESCRIPTION
1	18-02-82			MIN. GROUND COVER OVER CULVERT
2	20-01-99			NAME CHANGES OF AUTHORITIES + GME

REFERENCE DRAWINGS	
NUMBER	TITLE
RA29439/02	DETAILS OF SADDLES FOR CULVERTS AT ROADS AND RAIL CROSSINGS

SAP No.	P.	CHECKED BY	Pr Eng
CONTRACT No.		D.O.M. c. TUMBARE	
DESIGNED BY		APPROVED M. CHAUN Pr Eng	
DRAWN BY	MAMABOLO JM	REG. No. 2015/2256	
DATE	2019-08-05	DATE	20/08/2019

RAND WATER BOARD
STANDARD DETAILS
DETAILS OF CULVERT FOR
ROAD & RAIL CROSSING

STATION	WKS	DOC. TYPE	S
R W X X X X		D C G A	
SCALE AS SHOWN			
DRG No. RA29439/01			REVISION
			2